



**THC2W High Energy Tantalum Hybrid Capacitor**  
(Hermetic sealed & Military standard)

**Characteristics and Applications**

All tantalum case, hermetic sealed, Cylindrical, radial leads, Polar, with screws, convenient to fix  
This product is made up of tantalum capacitor and electrochemical capacitor  
Stable electric performance, high reliability, long life, large energy density per unit volume,  
Store much energy. Capacitance larger than THC1W.  
Used as battery in Energy conversion circuit and power pulse circuit, Perform Energy storage,  
filter, power-off delay in circuit.  
Standard: QJ/PWV304-2008

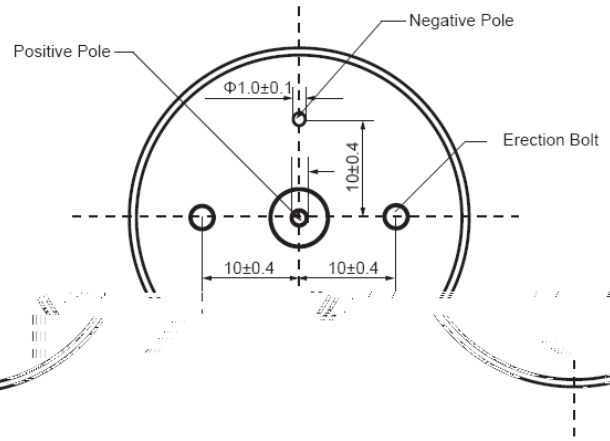
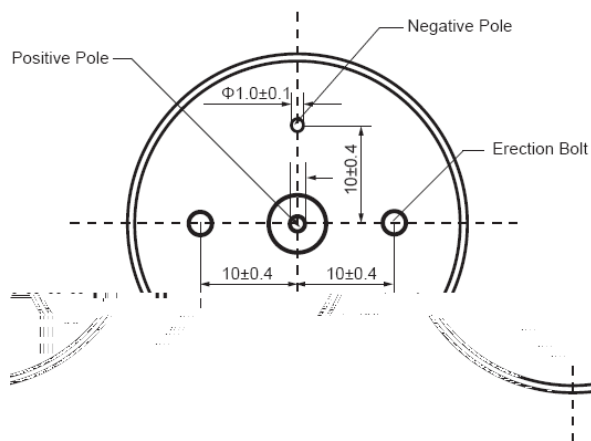
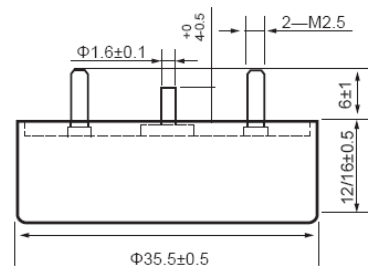
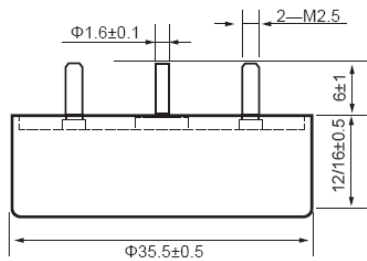
**How to order: THC2W-10V100000 F-M 100pc**

**Technical Performance**

Temperature range: -55 ~+125 85 use derated voltage  
Store environment temperature: -62 ~+130  
Capacitance tolerance: M=±20% Q=-10%~+30%  
Electric performance: see table1



**Size and installation 36\*12/16 mm**



16outline (B)

THC2W Φ36x12/16outline (A)  
Unit:mm

THC2W Φ36x12/  
Unit:mm



Table1 THC2W High Energy Tantalum Hybrid Capacitor's data and size: 36\*12/16 mm

Rated Voltage (V)	Derated Voltage (V)	Surge Voltage V	Capacitance F	tg (%) 100HZ	ESR 1KHZ	Leakage current/ A	capacitance	capacitance
-------------------	---------------------	-----------------	---------------	--------------	----------	--------------------	-------------	-------------

**Notes**

- 1, Tantalum capacitors can't been measured by multimeter (Easily cause irreversible damage and lead to reject)
- 2, Capacitance, DF measure frequency: 100Hz,DC offset voltage  $U.=2.2^{0}_{-1.0}V$ , Exchange offset voltage  $U.=1.0^{0}_{-0.5}V$ (effective value), measure method is by series equivalent circuit.
- 3, Measure the leakage current above 125 ,please use derated voltage. DLC read within 5 minute.
- 4, Special size and big capacitance products, please negotiate with us